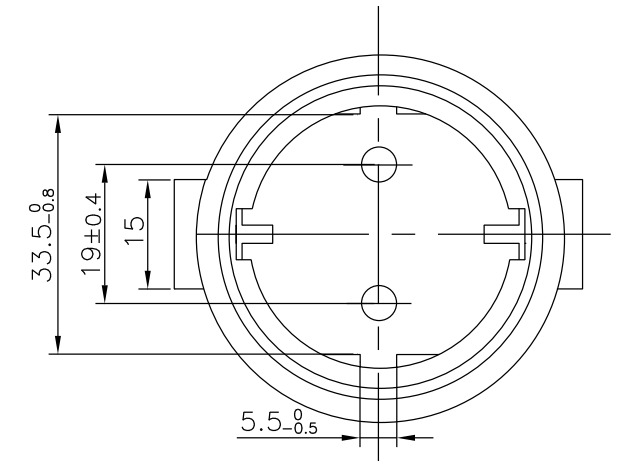


**H05VV-F 3X0.75mm<sup>2</sup>**



④	TAG	1PCS	DELTA CO TAG
③	CEE7/4(Schuko)	1PCS	BLACK PVC
②	IEC C14	1PCS	BLACK PVC
①	CABLE	1PCS	H05VV-F 3*0.75mm <sup>2</sup> BLACK PVC JACKET OD:6.7±0.2mm
NO	PARTS NAMF	O'TY	SPFCIFICATION

APPROVED	CHECKED	DRAWN	ITEM NO.	DEL-109P
			DRAW NO.	
			UNIT	mm
			SCALE	NONE

DESCRIPTION:  
IEC C14 Male— CEE7/4(Schuko) Female  
H05VV-F 3\*0.75mm<sup>2</sup>  
20cm

