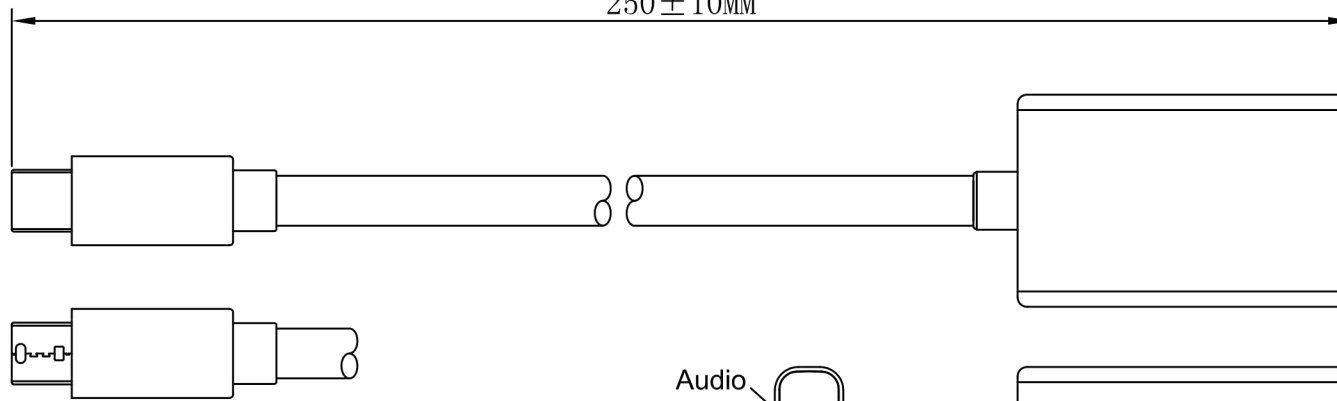
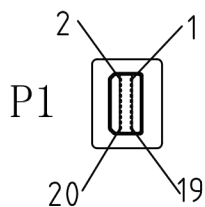


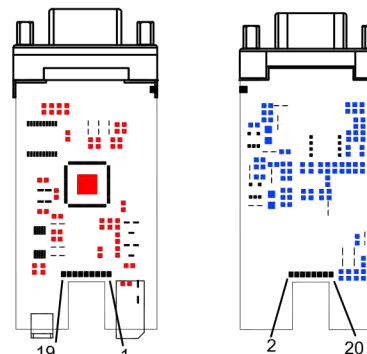
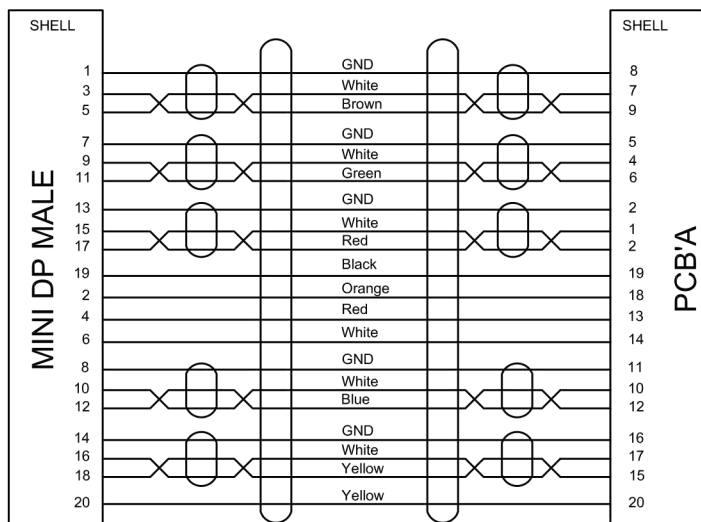
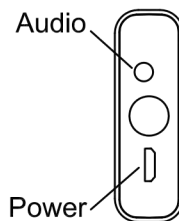
RoHS Compliant

REV	DESCRIPTION OF CHANGE	DATE
A0	INITIAL RELEASE	2014-05-06

250 ± 10MM



P2



PCB'A  
IC:LT8711

NO.	Material name	Item number	Specifications Description	Quantity
5	PVC	PVC-0001	60P PVC Black	2.00g
4	PE	PE-0001	LDPE (Rolls)	1.55g
3	Case	SL-BK0202	VGA Black ABS Front Cover	1 Pcs
	Connector	XY-C224-111-G	DP TO VGA F+ Micro USB B/F + AUDIO PCB'A, Gold plated	1 Pcs
2	Case	SL-BK0125	MINI DP Black ABS Front Cover	1 Pcs
	Connector	CN-G0001	Mini DP M, Gold plated	1 Pcs
1	Cable	DP1-50-32115	UL20276(32AWG*1P+D+AL/MY)*5C+32AWG*5C+MY/AL+BRAID(AMA), JACKET PVC BLACK. OD=5.5±0.20mm	1 Pcs

图号 (DWG NO)	XY-A1385	单位 (UNIT)	MM	
版次 (REV)	A0	比例 (SCALE)	任意	
页次 (PAGE)	1/1			TITLE DP-VGA13
设计 (DESIGN)	Dean	DIMENSIONS ARE IN MILLIMETERS TOLERANCES: LINEAR: X ± 1.0 X/2 ± 0.5 X/3 ± 0.15 X/30 ± 0.05 ANGULAR: ± 0.5°		
审核 (CHECKED)				
核准 (APPROVED)				